



Series/Serie

**E**

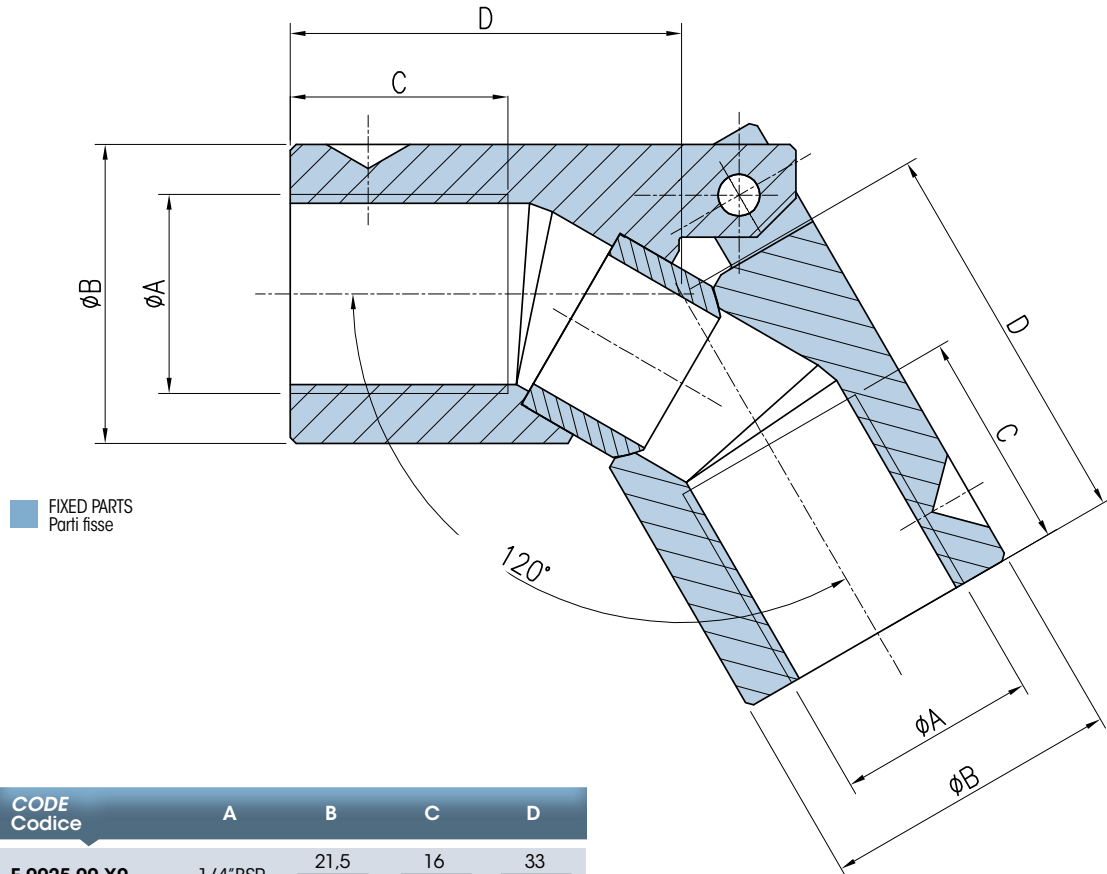
**SIMPLE ELBOW - FOR FIXED SYPHONS**  
Snodo semplice - Per sifoni fissi





## SIMPLE ELBOW - FOR FIXED SYPHONS

Snodo semplice - Per sifoni fissi



CODE Codice	A	B	C	D
<b>E-0025-00-X0</b>	1/4" BSP	21,5 0,846	16 0,629	33 1,299
<b>E-0037-00-X0</b>	3/8" BSP	28 1,102	21 0,826	40 1,578
<b>E-0050-00-X0</b>	1/2" BSP	35 1,377	26 1,023	49 1,929
<b>E-0075-00-X0</b>	3/4" BSP	40 1,574	31 1,220	58 2,283
<b>E-0100-00-X0</b>	1" BSP	50 1,968	36 1,417	65 2,559
<b>E-0125-00-X0</b>	1" 1/4 BSP	60 2,362	46 1,811	78 3,070
<b>E-0150-00-X0</b>	1" 1/2 BSP	65 2,559	51 2,007	87 3,425
<b>E-0200-00-X0</b>	2" BSP	80 3,149	51 2,007	93 3,661
<b>E-0250-00-X0</b>	2" 1/2 BSP	100 3,937	60 2,362	170 6,692
<b>E-0300-00-X0</b>	3" BSP	120 4,724	108 4,251	182 7,165

### Main features

- 1) Special version on request
- 2) Stainless steel AISI 420 with brass bush
- 3) Size from 1/4" to 3" GAS

### Caratteristiche principali

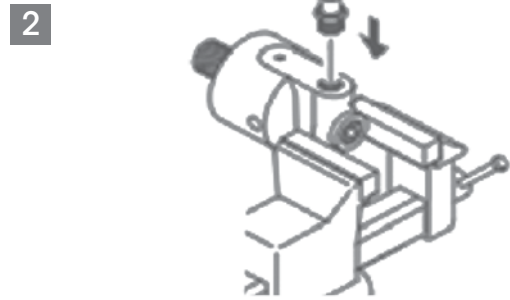
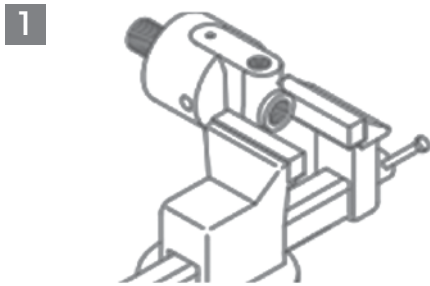
- 1) Versioni speciali su richiesta
- 2) Acciaio Inox AISI con boccola in bronzo
- 3) Disponibili grandezze da 1/4" a 3" GAS



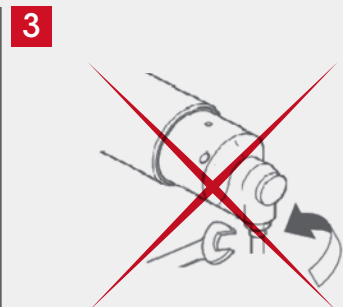
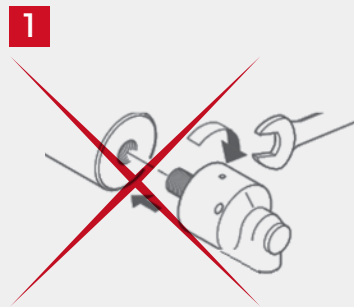
# INSTALLATION

## Installazione

### HOW TO INSTALL // COME INSTALLARE



### HOW TO **NOT** INSTALL // COME **NON** INSTALLARE



**PIPES MUST BE FLEXIBLE!**  
**ITUBI DEVONO ESSERE FLESSIBILI**